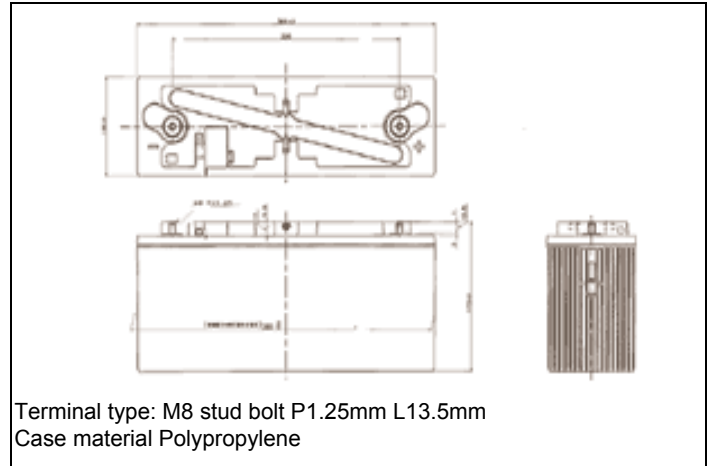


# EC-FV1260

For main power supplies.  
Cycle very long life and high power type.

## ■ Dimensions(mm)



## ■ Specification

Nominal voltage	12V	
Nominal capacity	60Ah	
Dimensions	Length	388mm
	Width	116mm
	Height	175mm
Weight	About 21kg	

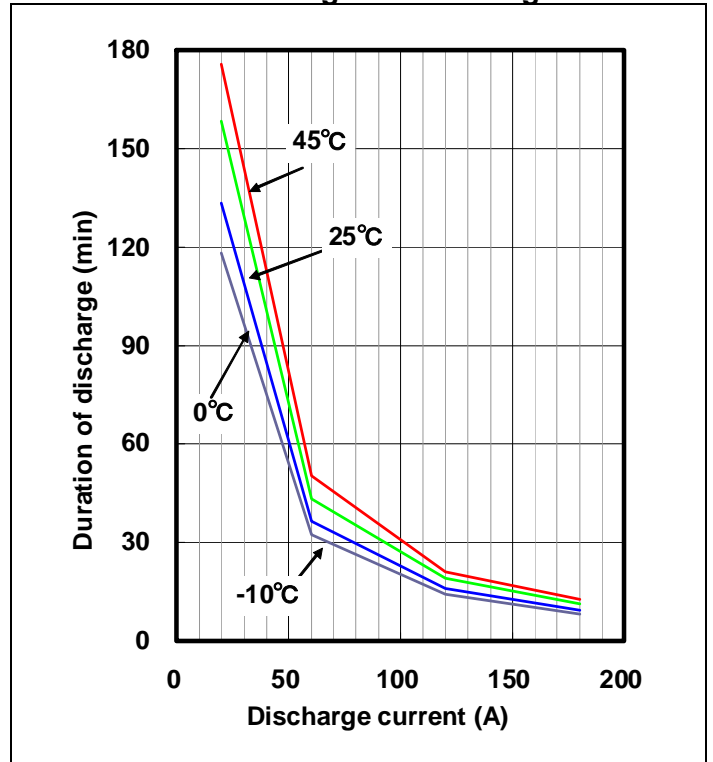
Specific charger specification is available. Do not charge with other procedure. Please ask the charger specification.

## ■ Characteristics

Capacity 25°C	1/3C(20A)	52Ah
	1C(60A)	43Ah
	3C(180A)	34Ah
Internal resistance 25°C	At full charge	About 3.5mΩ
Temperature dependence on capacity(1/3C)	45°C	111%
	25°C	100%
	0°C	84%
Self-discharge 25°C	Remain capacity after 3month storage	91%

The characteristics are not guaranteed value. Ask us for the battery life

## ■ Duration of discharge vs. discharge current



## ■ Note

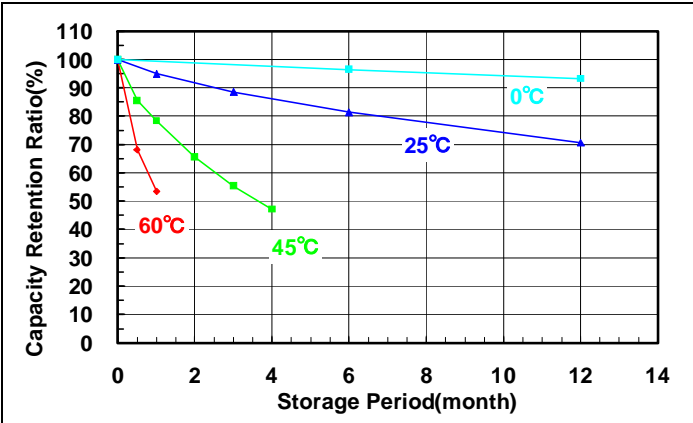
■ **Charging Method**

Cycle use	5step constant current charge
-----------	-------------------------------

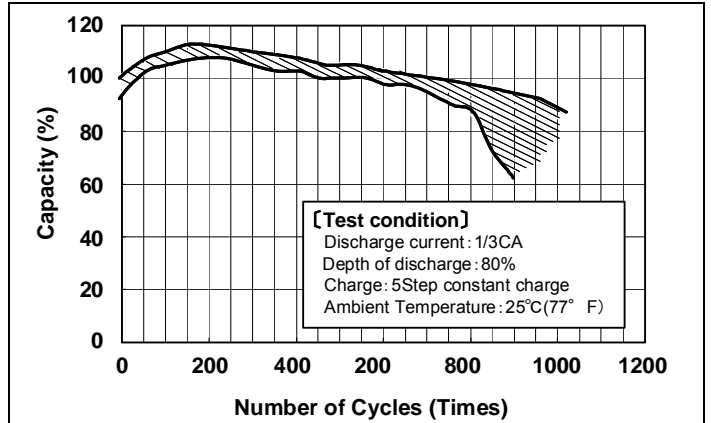
■ **Cut off voltage**

Discharge current	3A-20A	20A-60A	60A-360A
Cutt off voltage (V)	9.9	$-0.0375 \times i + 10.65$ <small>i: Discharge current</small>	8.4

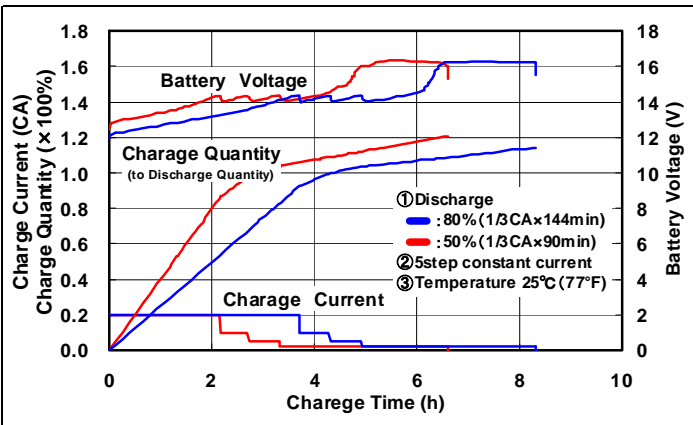
■ **Residual capacity vs storage period**



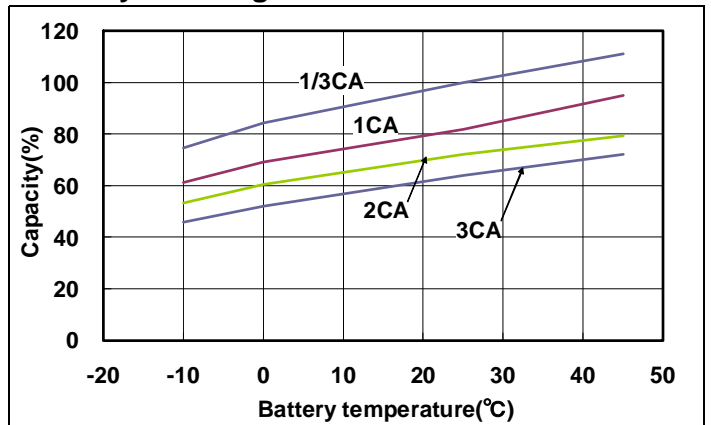
■ **Cycle life**



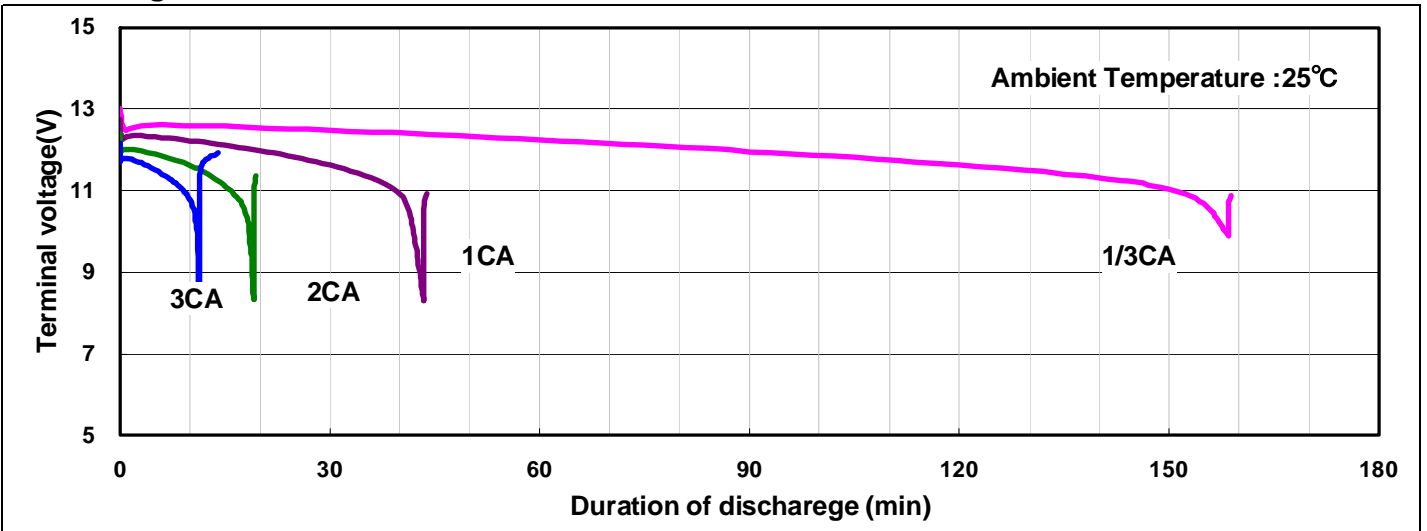
■ **5step constant current charge characteristics**



■ **Discharge capacity by temperature and by discharge current**



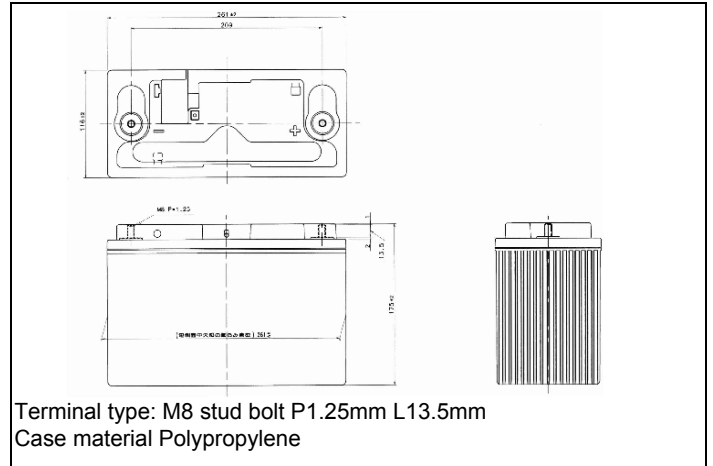
■ **Discharge characteristics**



# EC-FV1238

For main power supplies.  
Cycle very long life and high power type.

## ■ Dimensions(mm)



## ■ Specification

Nominal voltage		12V
Nominal capacity		38Ah
Dimensions	Length	261mm
	Width	116mm
	Height	175mm
Weight		About 14kg

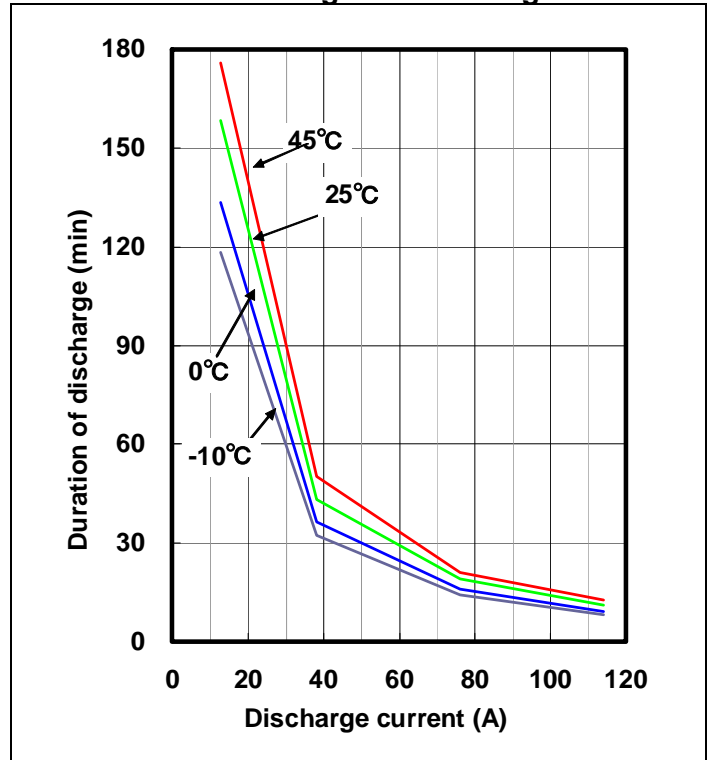
Specific charger specification is available. Do not charge with other procedure. Please ask the charger specification.

## ■ Characteristics

Capacity 25°C	3C(12.7A)	35Ah
	1C(38A)	30Ah
	3C(115A)	23Ah
Internal resistance 25°C	At full charge	About 4.5mΩ
Temperature dependence on capacity(1/3C)	45°C	105%
	25°C	100%
	0°C	87%
Self-discharge 25°C	Remain capacity after 3month storage	91%

The characteristics are not guaranteed value. Ask us for the battery life

## ■ Duration of discharge vs. discharge current



## ■ Note

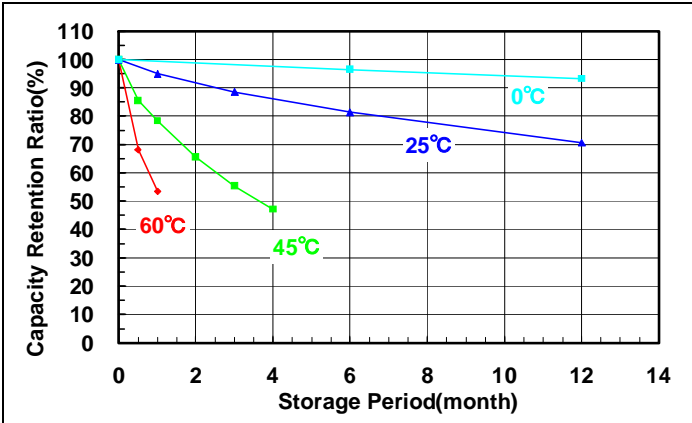
■ **Charging Method**

Cycle use	5step constant current charge
-----------	-------------------------------

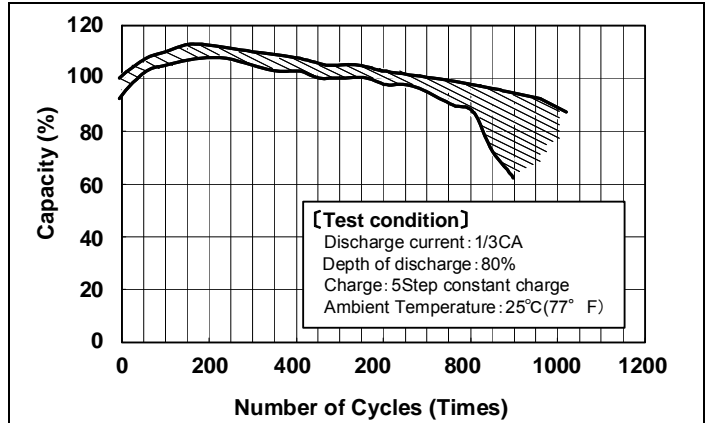
■ **Cut off voltage**

Discharge current	1.9A-12.7A	12.7A-38A	38A-228A
Cutt off voltage (V)	9.9	$-0.0592 \times i + 10.65$ i: Discharge current	8.4

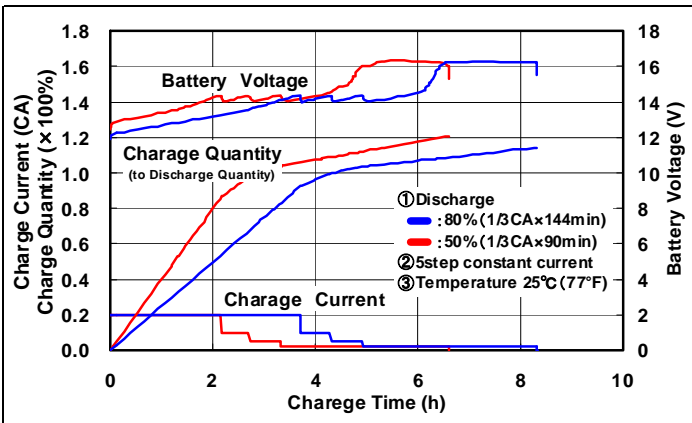
■ **Residual capacity vs storage period**



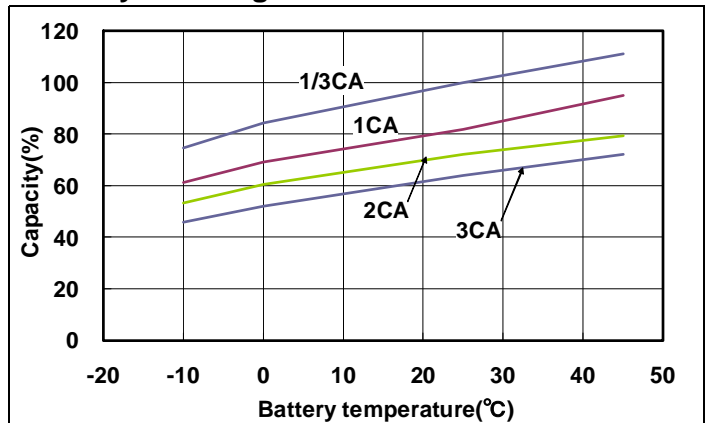
■ **Cycle life**



■ **5step constant current charge characteristics**



■ **Discharge capacity by temperature and by discharge current**



■ **Discharge characteristics**

